



**PERFORM
WITH
PRECISION™**

P39 COREWALL®

GENERATION III
PRECAST
INSERT

THE MOST
ADVANCED,
ADJUSTABLE
INSERTS
AVAILABLE



DAYTON®
SUPERIOR

**Dayton Superior P39
Corewall Generation III Insert
is the next generation product
in the Corewall legacy.**

**P39 is an economical way to
connect precast wall panels
to the framework of a
building.**

FEATURES

- PATENT PENDING
- The design has been improved to create a higher load capacity and greater ease to install the product which significantly reduces erection costs.
- The P39 insert uses heavy duty electro galvanized $\frac{3}{4}$ "-10 NC threaded nut to provide fast, efficient and reliable connections.
- The P39 Corewall Inserts are made from an engineered grade of polymer material that can withstand temperatures from 0°F to 140°F.
- Stainless steel nuts are available on special request.
- Minimum edge distance, without the use of additional reinforcing steel is 12".

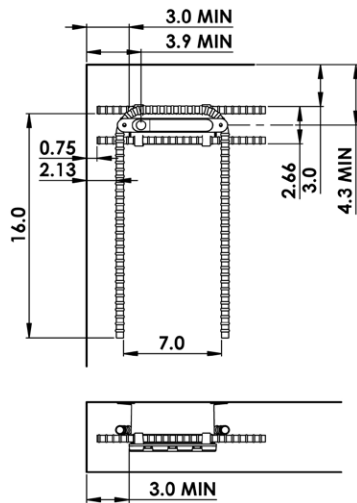
P39 TECHNICAL INFORMATION

Product Code	Size	Condition	Horizontal Reinforcing	f _c '=5,000 psi	
				Ultimate Tension	Ultimate Shear
145643	2.5" x 6"	12" Away From the Edge	None	10,700	10,050
145643	2.5" x 6"		#3 x 9" Long	11,200	15,100
145643	2.5" x 6"		#4 x 12" Long	14,500	15,100
145644	3.5" x 6"		None	16,850	14,650
145644	3.5" x 6"		#3 x 9" Long	21,300	28,650
145644	3.5" x 6"		#4 x 12" Long	32,550	32,250
145645	4.5" x 6"		None	27,800	39,100
145645	4.5" x 6"		#3 x 9" Long	31,100	46,150
145645	4.5" x 6"		#4 x 12" Long	31,700	46,350
145643	2.5" x 6"	Edge	U-Shaped Bar	8,400	6,975
145644	3.5" x 6"	Edge	U-Shaped Bar	12,750	8,300
145645	4.5" x 6"	Edge	U-Shaped Bar	16,800	8,300
145643	2.5" x 6"	Corner	U-Shaped Bar	8,400	7,440
145644	3.5" x 6"	Corner	U-Shaped Bar	12,400	6,150
145645	4.5" x 6"	Corner	U-Shaped Bar	13,800	6,150

LOAD CAPACITY OF P34L STRAP ANCHOR

Eccentricity	Ult. Shear Load (lbs)	Ult. Tension Load (lbs)
1"	21,800	39,550
1.5"	21,700	
2"	20,100	
2.5"	18,100	
3"	15,300	

EDGE / CORNER DETAILS



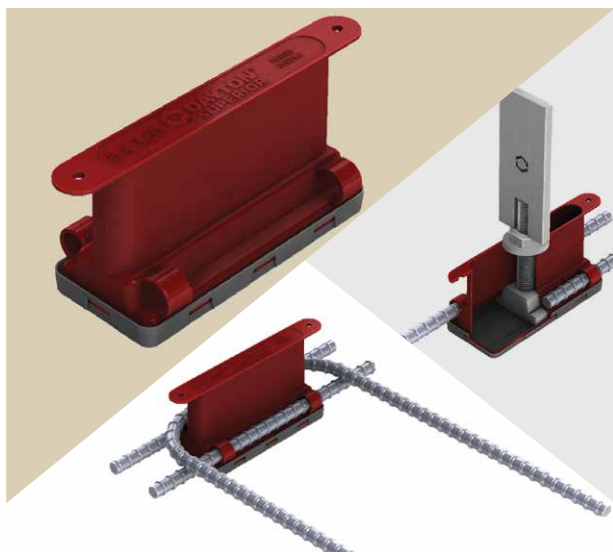
COLOR-CODED SIZES:



P39 COREWALL GENERATION III INSERT ORDERING INFORMATION

Product Code	Depth	Length	Nut Adjustment	Lid Color	Wt (lbs)
145643	2.5"	6"	4.5"	White	0.415
145644	3.5"	6"	4.5"	Red	0.447
145645	4.5"	6"	4.5"	Black	0.476





VERSATILE

Can be used 3 different ways:

- Without additional rebar
- With two horizontal bars if increased load capacity is required
- With two horizontal bars and additional bent bar if the inserts are installed close to panel edge or corners

TOTAL SYSTEM

P34L Strap Anchor is used with P39



P39 lid peels away for easy installation of P34L Strap Anchor.

Attach the P39 Strap Anchor into the Corewall steel T-nut. The strap is welded to the steel structure.

P34L Strap Anchors are supplied with jam nut and flat washer to resist compression forces.





DAYTON[®]
SUPERIOR

1125 Byers Road
Miamisburg, OH 45342
937-866-0711
888-977-9600

**PERFORM
WITH
PRECISION™**

