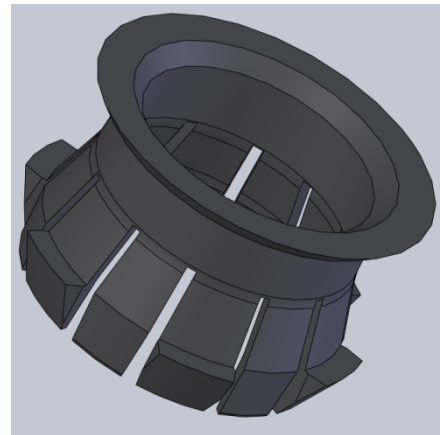
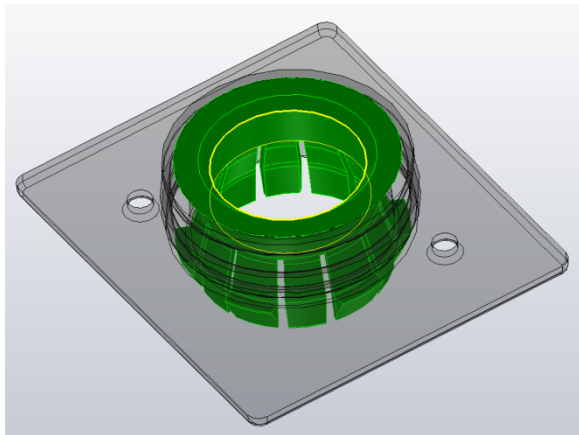
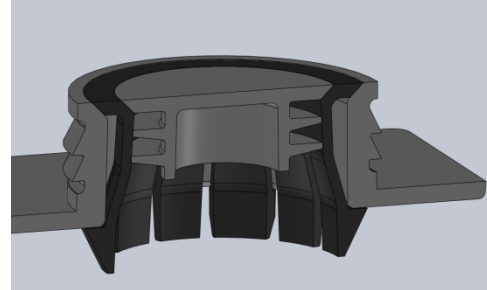


SYM-PLY® 15mm SLEEVE INSERT & PLUG

September 26, 2014: Dayton Superior is introducing a new accessory for the Sym-Ply Clamp System which provides a better concrete finish and greatly reduces cleaning of form equipment. The new 15mm Sleeve Insert reduces the inside diameter from 1.44” to 1.13” which is more applicable to the 15mm Taper Tie.

The smaller opening results in far less concrete repair and patching due to greatly reduced concrete seepage. For the owner, it also means less time and money cleaning the forms!

The new Insert fits inside the existing Sleeve Plate and secures to the back side with six hooks. When a larger tie or more adjustability is required, remove the insert to reveal the original, larger diameter Sleeve Plate.



Product break down is:

Product Code	Description	Price (Ea.)	Wt (Lbs.)
F56084	SYM-PLY 15mm SLEEVE INSERT (Bags of 250 ea, Box of 500)	\$1.85	0.02
F56085	SYM-PLY 15mm INSERT PLUG (Bags of 500 ea, Box of 1,000)	\$0.22	0.01

For more information please visit us at www.daytonsuperior.com or contact Customer Service at 1.877.977.9600.