

Product Enhancements to the C49 BOB's

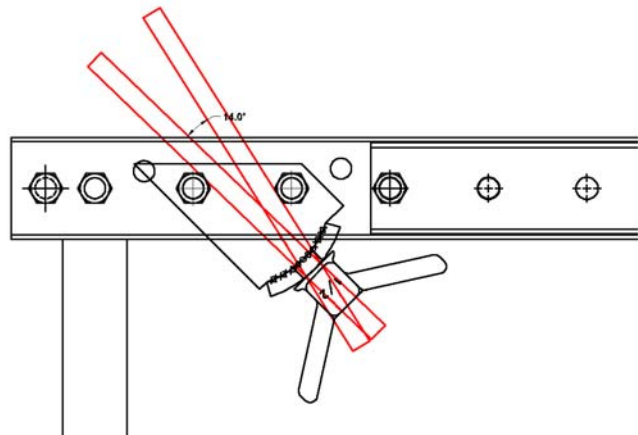
The Dayton Superior C49-style Bridge Overhang Brackets (BOB) are steel assemblies used to provide support for formwork used when a bridge deck extends beyond the outermost structural beam. Allowing for maximum adjustability, the C49-style Bridge Overhang Brackets are the most versatile overhang bracket available and is used in most general conditions. The C49-style Bridge Overhang Brackets include C49, C49D, C49S, C49JR, C49C, and C49CD.

In 2013, the Bolt Holder Assembly contained within the C49-style BOB's was redesigned. The previous design is no longer available and has been replaced by the updated revision.



The current Bolt Holder Assembly includes:

- A two bolt design for increased strength and reliability
- Safer jobsite installation by limiting potential misuse
- Compliance with higher capacity design for more versatility
- Enhance usability with 14 degrees of coil rod adjustment



Please contact customer service for availability and pricing at 1.877.977.9600.